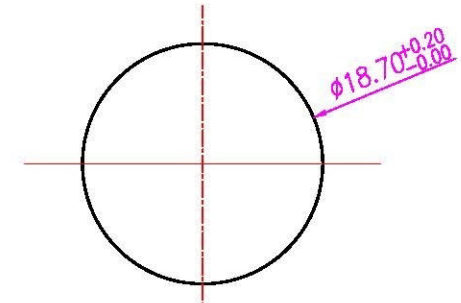
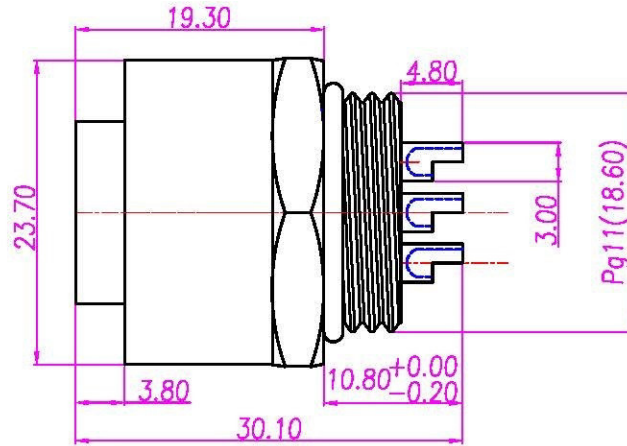
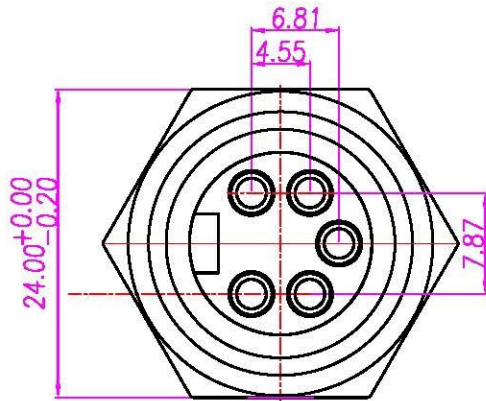


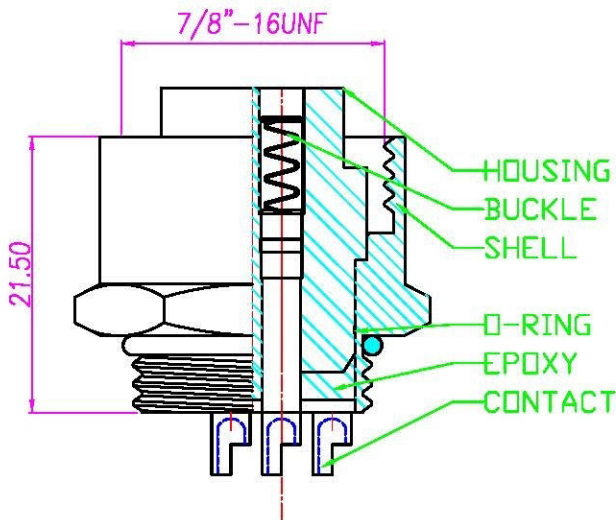
This document is the property of Nian-Yeong Corporation and is delivered on the express condition that it is not to be disclosed, reproduced or used, in whole or in part, for manufacture or sale by anyone other than Nian-Yeong Corporation without its prior consent, and that no right is granted to disclose or to use any information in this document.

CUSTOMER DRAWING

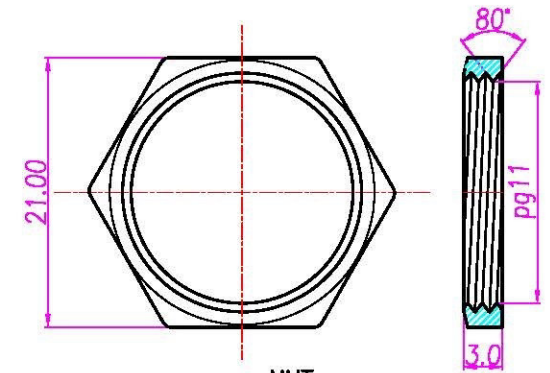
REV.	DESCRIPTION	APPVL. BY	DATE	ECN NO.
C	RELEASE	Fido Veng	08/09/10*	
D				
E				



PANEL CUT-OUT



- MATERIAL :**
 - 1-1. HOUSING : PBT UL94V-0 ; COLOR : YELLOW
 - 1-2. CONTACT : BRASS
 - 1-3. BUCKLE : BRASS
 - 1-4. SHELL : BRASS
 - 1-5. O-RING : NBR(15.3*0.8) ; COLOR : BLACK
 - 1-6. Epoxy resin : EF400A&EF400B ; COLOR BLACK
- FINISH :**
 - 2-1. CONTACT : 30 MICRO INCHES MIN. GOLD PLATED
UNDER PLATE : NICKEL
 - 2-2. BUCKLE : MATTER-TIN PLATED
 - 2-3. SHELL : NICKEL PLATED
- ELECTRICAL SPECIFICATION :**
 - 3-1. Rated current : 20A
 - 3-2. Rated Voltage : 250V
 - 3-3. Water proof: IPX7
- Environmental :**
 - 4-1. Operation Temperature : -20°C~85°C



NUT

DRAW	KU	APPVL	UNIT	MP	TOLERANCE		TITLE	防水型5PIN(F)杯口螺母			SHEET	
CHECK			SCALE	1:1	X ±0.20 XX ±0.10 XXX ±0.05 XXXX ±0.03 ANGULA ±1°		www.allconnectors.de Tel: 0049 711 702503 W/94-Filele road Germany	info@allconnectors.de Fax: 0049 711 702504 Kettelerstr. 2	PART NO.	WP-05F2-22	DWG NO.	QC2817